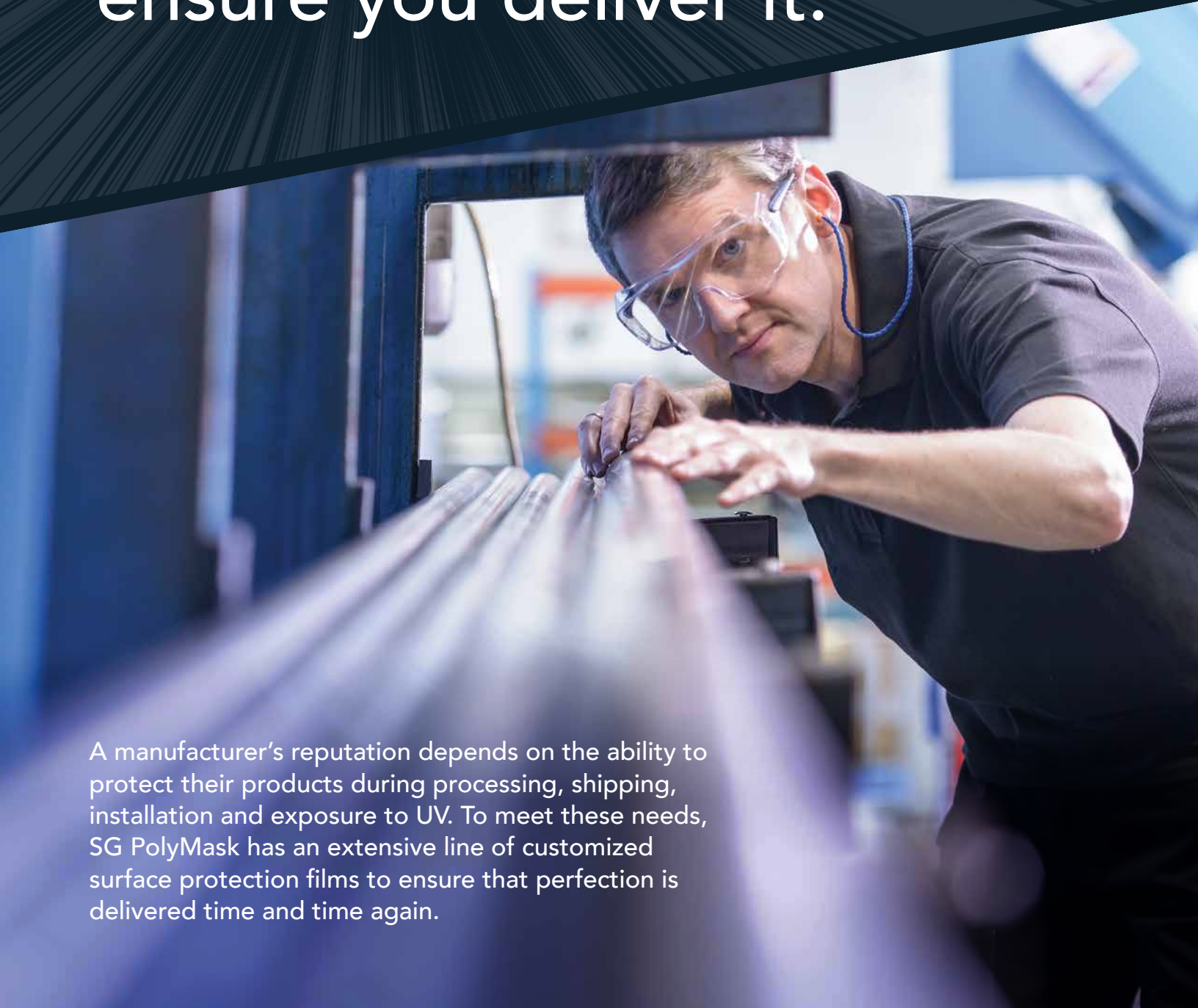




PROTECTIVE FILMS SELECTION GUIDE

Your customers expect
perfection. We help
ensure you deliver it.



A manufacturer's reputation depends on the ability to protect their products during processing, shipping, installation and exposure to UV. To meet these needs, SG PolyMask has an extensive line of customized surface protection films to ensure that perfection is delivered time and time again.

Protective film solutions for virtually any surface.



Surface Guard® PolyMask High Performance "A" Films*

With superior puncture resistance and exceptional elongation, Surface Guard® PolyMask High Performance Co-Extruded "A" Films, are an excellent choice for surfaces that need to be formed, bent or corrugated after applying protective film.

- Enhanced elongation allows the film to remain on the surface through many forming processes
- Greater abrasion resistance for a more conformable, easier to apply alternative to thicker-gauge films

Product	Backing	Nominal Thickness (mils)	Adhesion to Steel (oz/in. width)	Color	UV	Application
2A804C	Multi-polymer Polyethylene	2	2	Clear	3 Days	Highly reflective and high gloss surfaces.
2A825C	Multi-polymer Polyethylene	2	6	Clear	3 Days	Semi-gloss paints and substrates.
2A826C	Multi-polymer Polyethylene	2	8	Clear	3 Days	Satin-gloss paints and #3 stainless steel.
2A829C	Multi-polymer Polyethylene	2	9	Clear	3 Days	Low gloss paints and substrates.
2A87C	Multi-polymer Polyethylene	2	14	Clear	None	Matte and lightly textured surfaces.
2A88C	Multi-polymer Polyethylene	2	15	Clear	None	Flat, gloss and lightly textured substrates.



Surface Guard® PolyMask Protective Films*

Metals, glass and other high-value surfaces can be easily scratched and damaged during processing and shipping causing unnecessary costs and delays. Surface Guard® PolyMask Protective Films provide low cost protection to help manufacturers improve yields and deliver high quality to their customers.**

Product	Backing	Nominal Thickness (mils)	Adhesion to Steel (oz/in. width)	Color	UV	Application
31804C	Polyethylene	3	1	Clear	3 Days	High-gloss coated metals. CRT and LCD screens, plastics and polycarbonates.
31825C	Polyethylene	3	5	Clear	3 Days	Cut-to-length metal sheets in fabrication, shipping and storage.
31826C	Polyethylene	3	6	Clear	3 Days	Aluminum and stainless sheets or coils in fabrication and shipping.
3187C	Polyethylene	3	11	Clear	None	Painted, embossed, architectural building panels. Semi-gloss laminates and acrylic sheets.
3188C	Polyethylene	3	13	Clear	None	Slightly textured plastics, steel garage doors, metal extrusions and painted building panels.
3179C	Polyethylene	3	14	Clear	None	Medium/heavy textured surfaces.

**Available in mil thickness between 2 and 8.



Surface Guard® PolyMask UV Protective Films*

When products have extended exposure to sun, rely on Surface Guard® PolyMask UV Protective Films to protect products from scratches and abrasions while allowing for clean removal from the surface.

Product	Backing	Nominal Thickness (mils)	Adhesion to Steel (oz/in. width)	Color	UV	Application
2AU23B/UV	Polyethylene	2	3	Blue	3 Months	For glass and window frames with a high-gloss surface, high-gloss painted metals and plastics. Transparent. Allows for surface inspection.
31U26C/UV	Polyethylene	3	7	Clear	5 Months	For aluminum window frames, painted metals and plastics. Transparent. Allows for surface inspection.
3W26X	Polyethylene	3	6	Black/White	9 Months	Satin-gloss paints and #3 stainless steel.
25AU76B/UV	Polyethylene	2.5	12	Blue	3 Months	Painted aluminum frames with PTFE coatings or paints.

*All product constructions contain acrylic adhesive.



Surface Guard® PolyMask Protective Laser Films*

With a uniquely formulated design, Surface Guard® PolyMask Protective Laser Films provide temporary protection to stainless steel before, during and after laser-cutting operations. These tough films resist abrasion, nicks and scratches.

- Clear film allows manufacturers to inspect metal before cutting, reducing the cost of removing and reapplying film
- Up to 25% faster processing speeds improves productivity and saves costs
- Specifically designed for CO₂ laser cutting only

Product	Backing	Nominal Thickness (mils)	Adhesion to Steel (oz/in. width)	Color	UV	Application
4H85CPB	Polyethylene	4	12	Clear	None	Unique film construction offering extra protection during processing and allowing easy removal.
4H85WPB	Polyethylene	4	12	White	None	



Vehicle Exterior Protective Films*

Protecting automotive exteriors from damage and dirt, whether in the plant, or in transit, is critical during the customer process. SG PolyMask offers a broad line of protective film for paint, wheels, glass and mirrors so your products look as perfect on the sales lot as on the factory floor.

Product	Backing	Nominal Thickness (mils)	Adhesion to Steel (oz/in. width)	Color	UV	Application
24S56W	Polypropylene	2.5	9	White	6 Months	White film for painted metals, plastic surfaces and automotive clearcoat paint finishes.
44S56W	Polypropylene	4	9	White	6 Months	
64S58W	Polypropylene	6	9	White	6 Months	Use on base, clearcoat and high gloss painted surfaces. Ideal for heavy abrasion protection.
31U72P	Polyethylene	3	13	Clear/Printed	5 Months	Clear backing allows for the inspection of wheel covers.



Vehicle Interior Protective Films*

As production lines speed up, assemblers don't have time to work around finished components or rework parts. Surface Guard® PolyMask Protective Films allow workers to finish jobs quickly and efficiently without worrying about scratches, nicks and smudges.

Product	Backing	Nominal Thickness (mils)	Adhesion to Steel (oz/in. width)	Color	UV	Application
3179C	Polyethylene	3	14	Clear	None	Textured interior trims, scuff plates, consoles and door panels.
21825C	Polyethylene	2	5	Clear	None	Smooth semi-gloss to gloss finishes, gear shift bezels and lenses.
2E97C	Polyethylene	2.8	35	Clear	None	For automotive and industrial carpets and fabrics only.
4196C	Polyethylene	4	45	Clear	None	Highest adhesion automotive carpets.
4F94C	Polyethylene	4.5	20	White	None	Flame resistant carpet protection.
4N61W	Polyethylene	4	15	White	None	Stair treads on planes, trains and commercial vehicles. Protects flooring from traffic damage while providing slip resistance.

*All product constructions contain acrylic adhesive.

Many factors can affect the use and performance of a Surface Guard® PolyMask Protective Film in a particular application:

- Surface texture of substrate
- Time and environmental conditions
- Storage conditions
- Surface preparation of substrate (including use of solvents)
- Method and conditions of film application
- Surface gloss

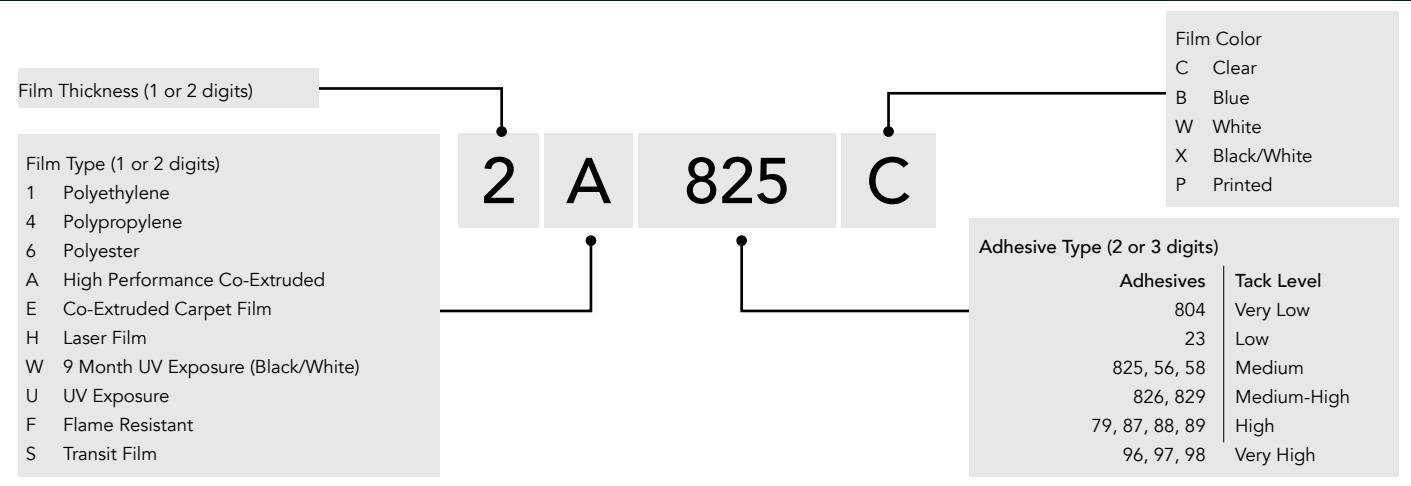
Work with SG Polymask to determine whether the product is suitable for a particular purpose to meet the user's expectation.

Surface Guard® PolyMask Protective Film are customized at the time of order to meet each customer's individual needs.

- Minimum/maximum roll widths: 2 in. to 72 in.
- Roll lengths from 300 ft. to 7500 ft.
- Array of custom options are available including perforations, colored films and custom printing



Surface Guard® PolyMask Protective Film Product Identification



SG PolyMask Customer Service 1-844-232-6783
Pregis.com

Product Use: Many factors beyond SG PolyMask's control and uniquely within user's knowledge and control can affect the use and performance of a SG PolyMask product in a particular application. Given the variety of factors that can affect the use and performance of a SG PolyMask product, user is solely responsible for evaluating the SG PolyMask product and determining whether it is fit for a particular purpose and suitable for user's method of application. Warranty, Limited Remedy and Disclaimer: Unless an additional warranty is specifically stated on the applicable SG PolyMask product packaging or product literature, SG PolyMask warrants that each SG PolyMask product meets the applicable SG PolyMask product specification at the time SG PolyMask ships the product. SG PolyMask MAKES NO OTHER WARRANTIES OR CONDITIONS, EXPRESS OR IMPLIED, INCLUDING, BUT NOT LIMITED TO, ANY IMPLIED WARRANTY OR CONDITION OF MERCHANTABILITY OR FITNESS FOR A PARTICULAR PURPOSE OR ANY IMPLIED WARRANTY OR CONDITION ARISING OUT OF A COURSE OF DEALING, CUSTOM OR USAGE OF TRADE. If the SG PolyMask product does not conform to this warranty, then the sole and exclusive remedy is, at SG PolyMask's option, replacement of the SG PolyMask product or refund of the purchase price. Limitation of Liability: Except where prohibited by law, SG PolyMask will not be liable for any loss or damage arising from the SG PolyMask product, whether direct, indirect, special, incidental or consequential, regardless of the legal theory asserted, including warranty, contract, negligence or strict liability.



SG PolyMask
 515 Enterprise St.
 Aurora, IL 60504
 Phone: 1-844-232-6783
 Email: sgpolymaskinfo@pregis.com
 Web: www.pregis.com